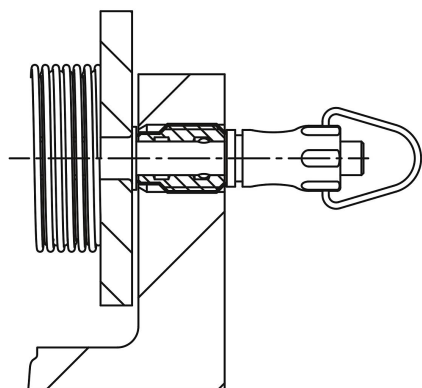
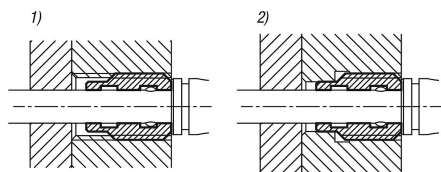


Item description/product images



Description

Material:
Stainless steel 1.4305.

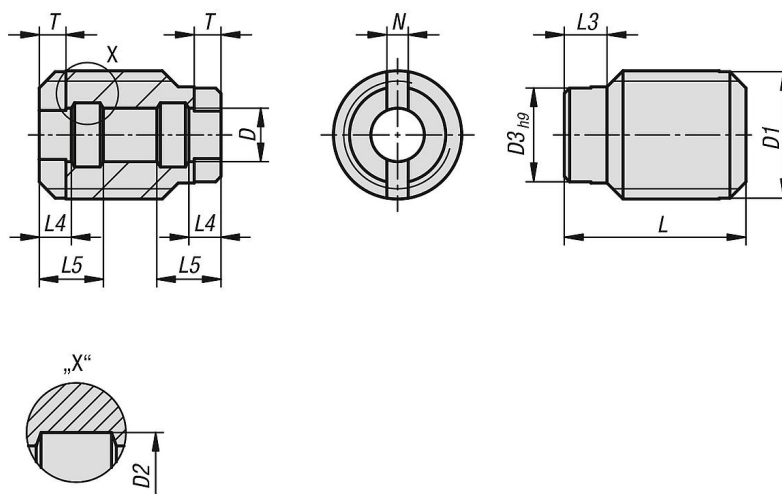
Version:
Bright.

Note:
The locating bushes are ideal for easy and quick positioning of ball lock pins with head-end lock.

Advantages:
The adapter bushes can be used from both sides.
Additional centring of the adapter bush is provided by the centring collar (D3).

Drawing reference:
1) without centring
2) with centring

Drawings



Overview of items

Order No.	D	D1	D2	D3	L	L3	L4	L5	N	T
03425-10512	5	M12	6	9	17	4	3	6	2	2,5
03425-10616	6	M16	7,5	12	18	5	3	7	2	2,5
03425-10816	8	M16	10	12	20,5	5	3,5	8,5	2	2,5
03425-11024	10	M24x1,5	13	18	21,5	5	3,5	9	2,5	2,5
03425-11230	12	M30x1,5	15	24	22,5	5	3,5	9,5	2,5	2,5
03425-11630	16	M30x1,5	20	24	27	5	4,1	11,1	2,5	3